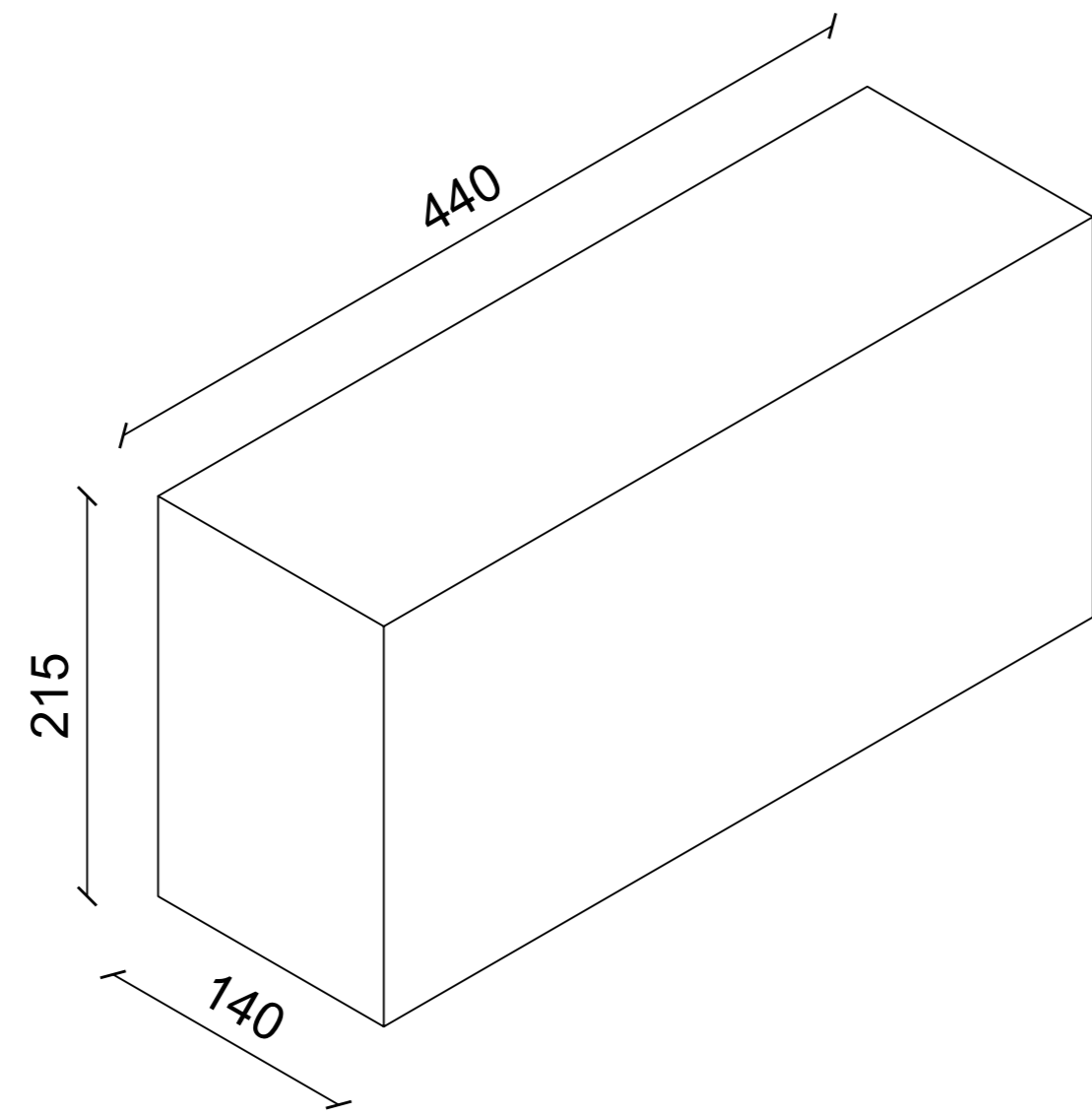
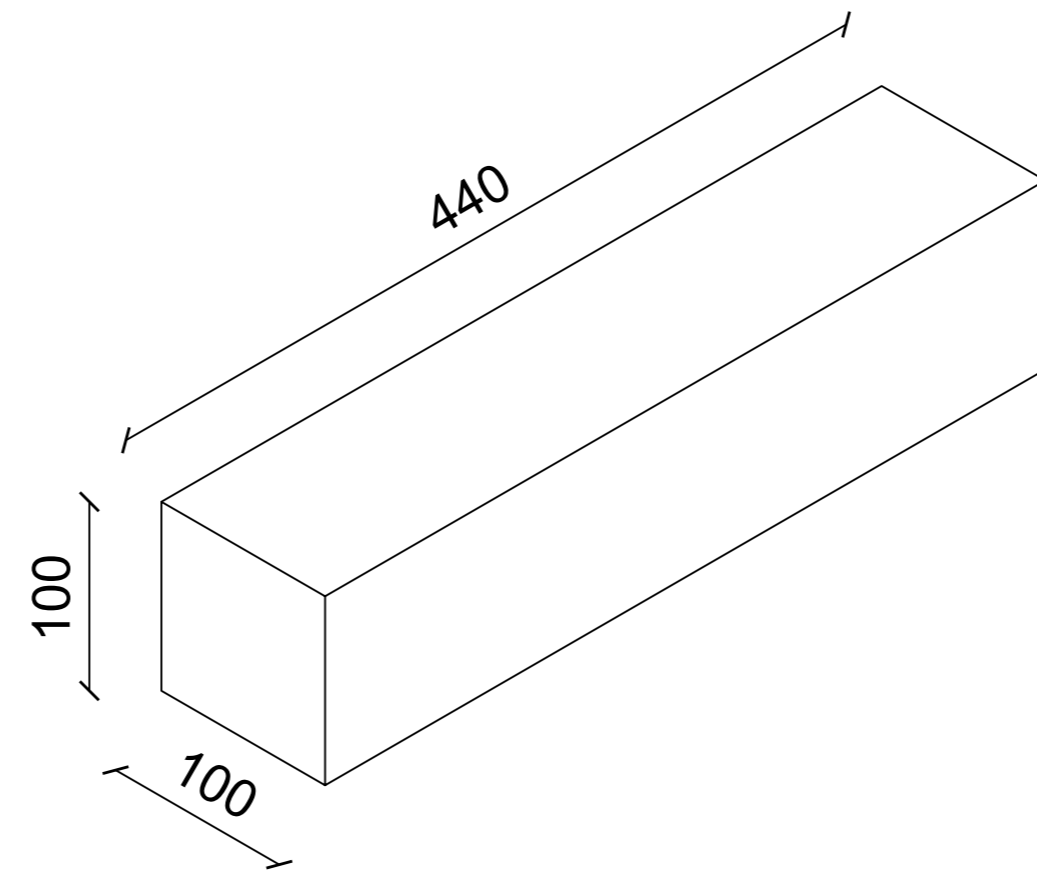


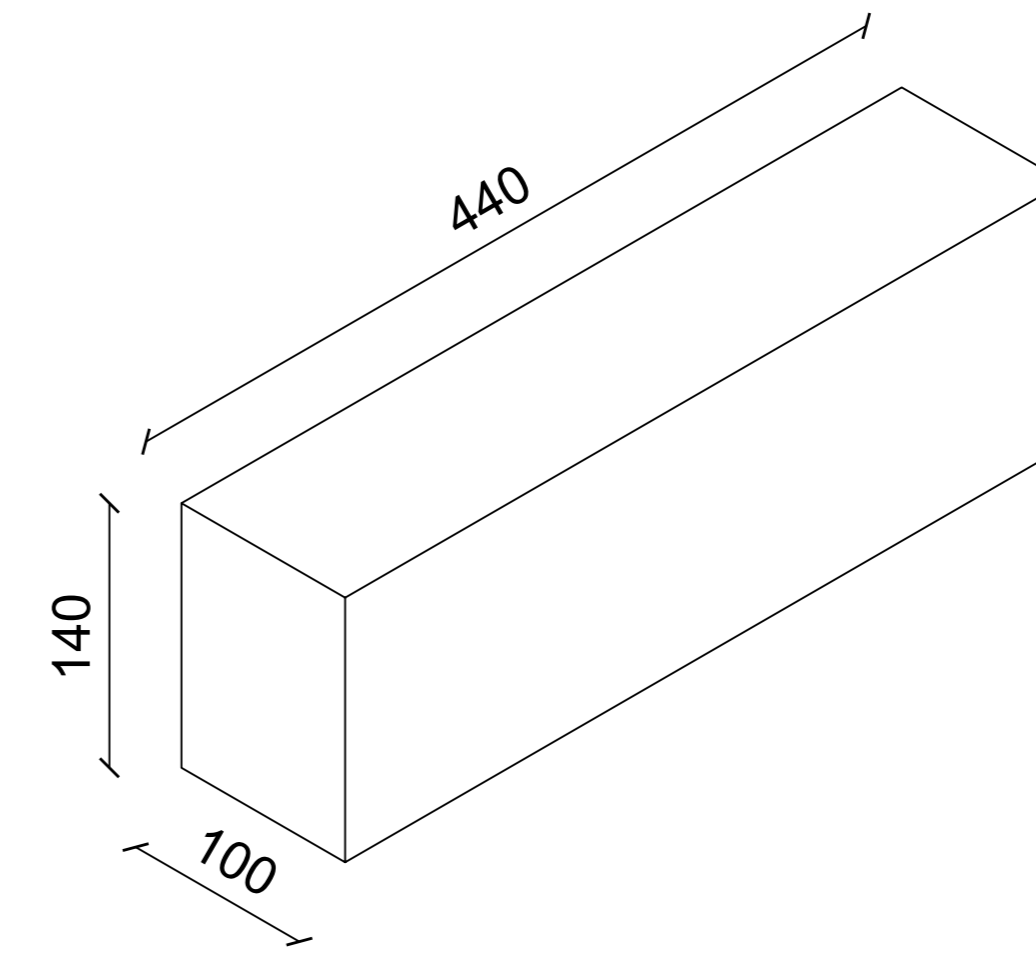
**4" Block**  
44 per bale



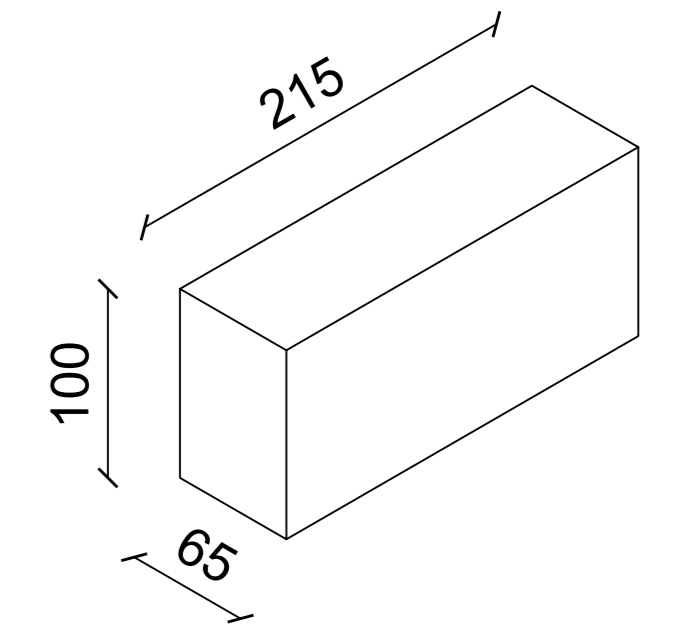
**6" Block**  
32 per bale



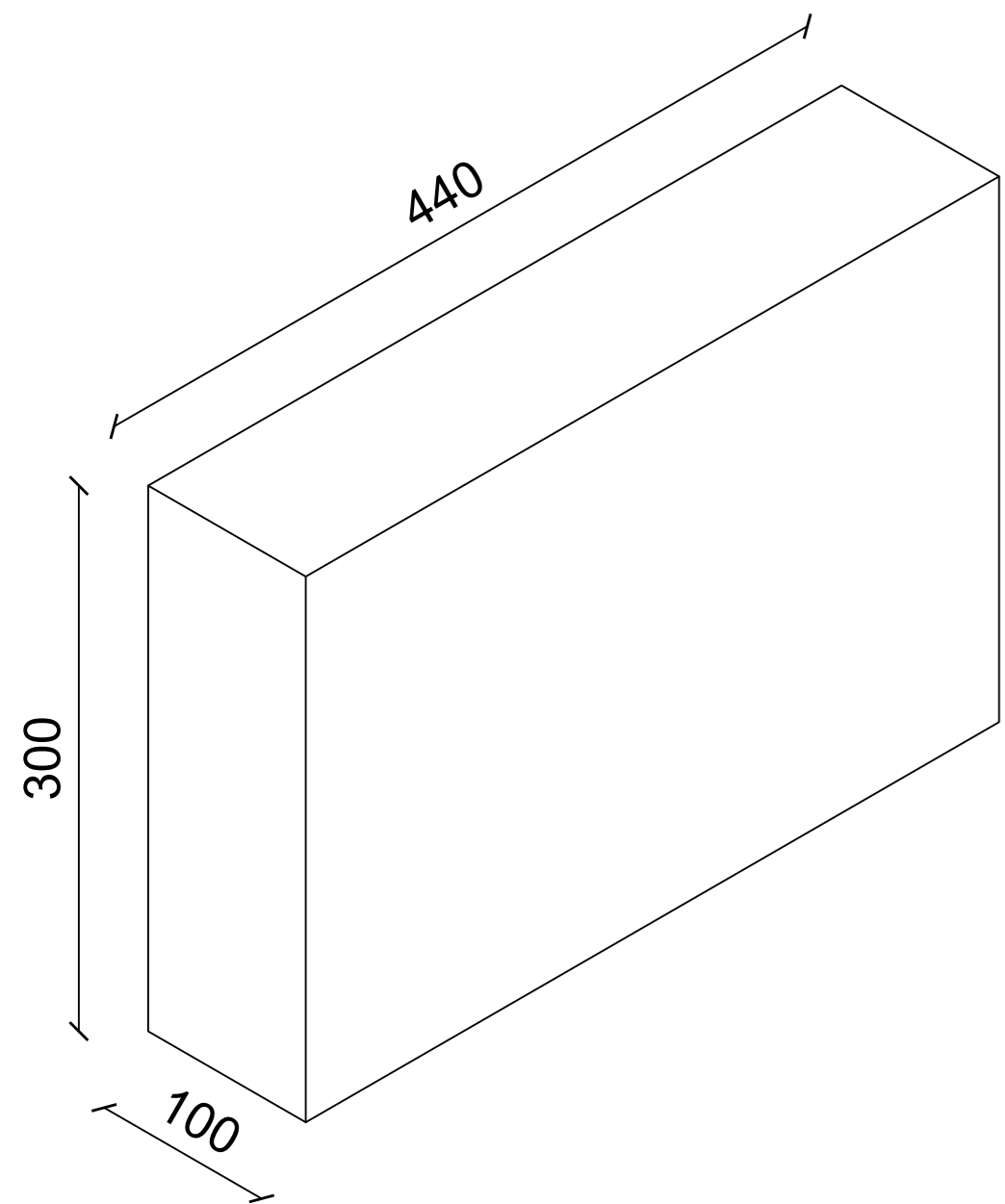
**4" Soap**  
88 per bale



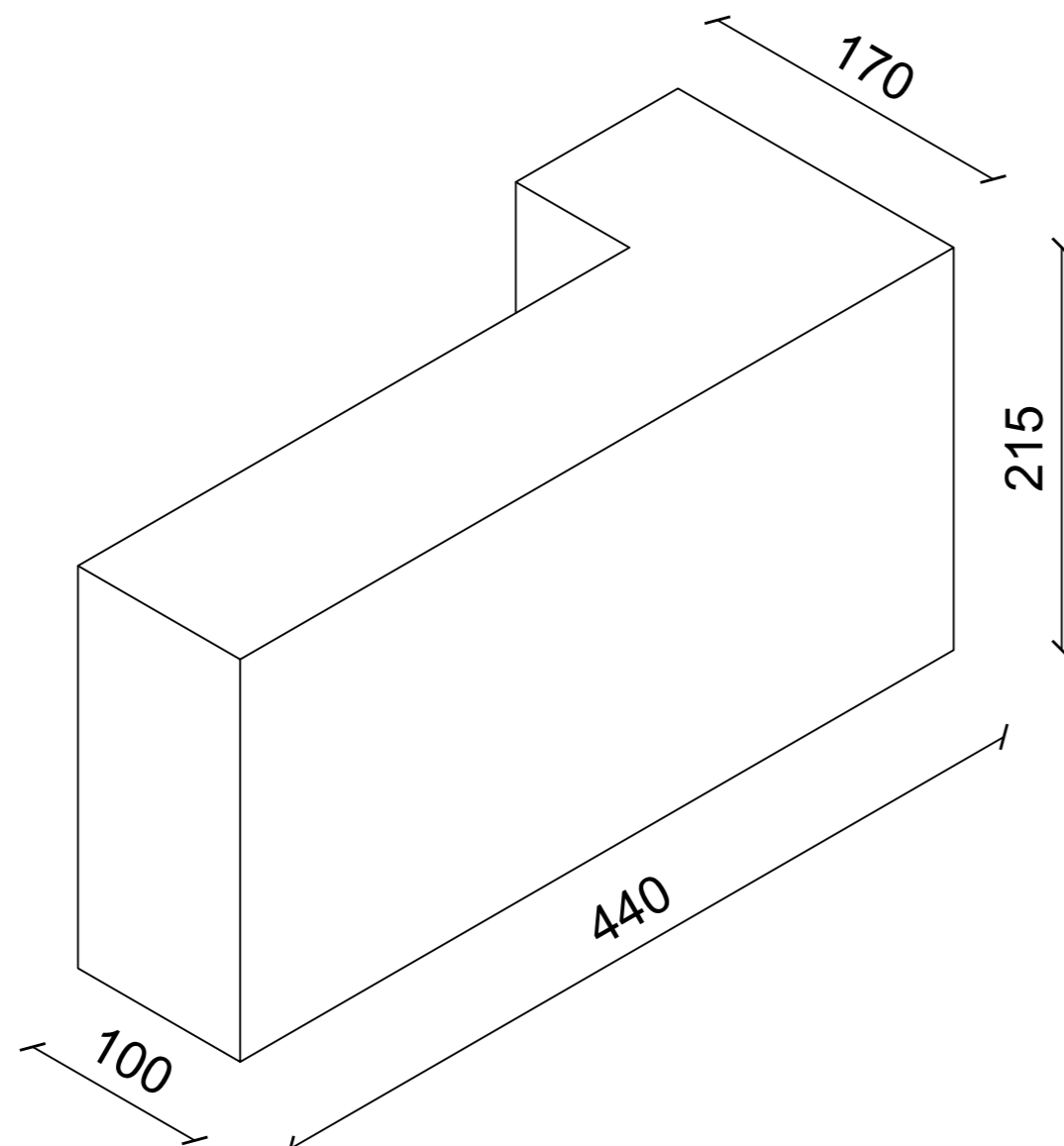
**6" Soap**  
66 per bale



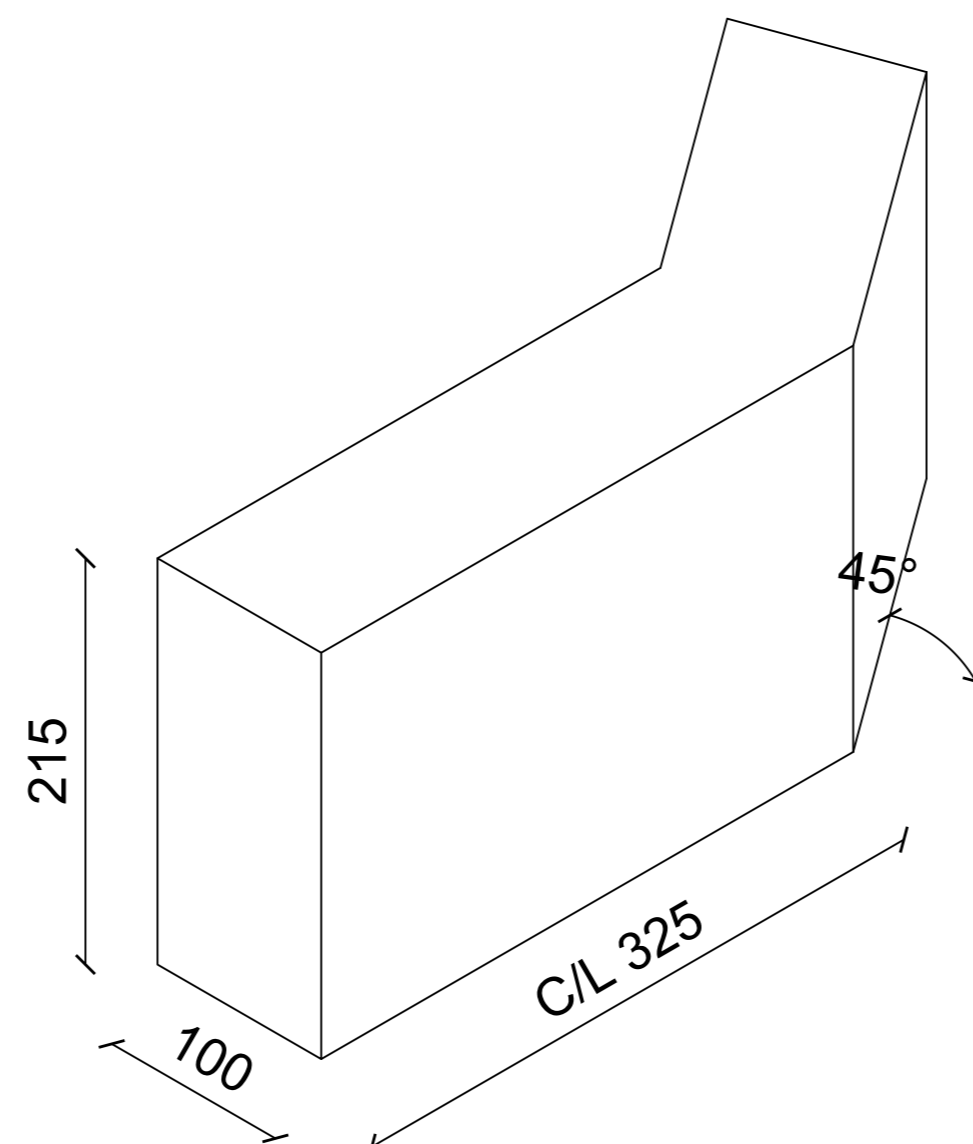
**Stock Brick**  
128 per bale



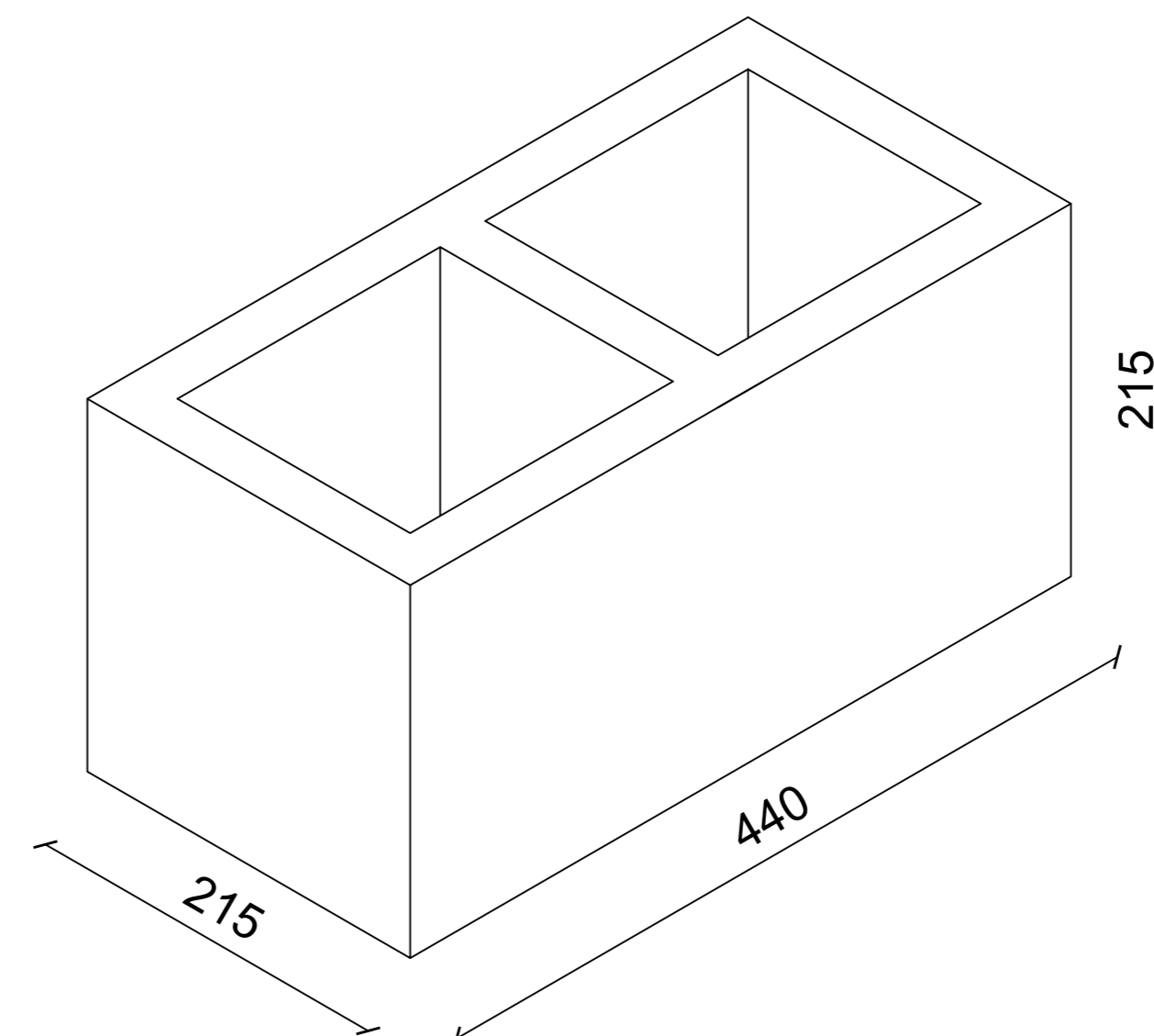
**12" Cavity Closer**  
33 per bale



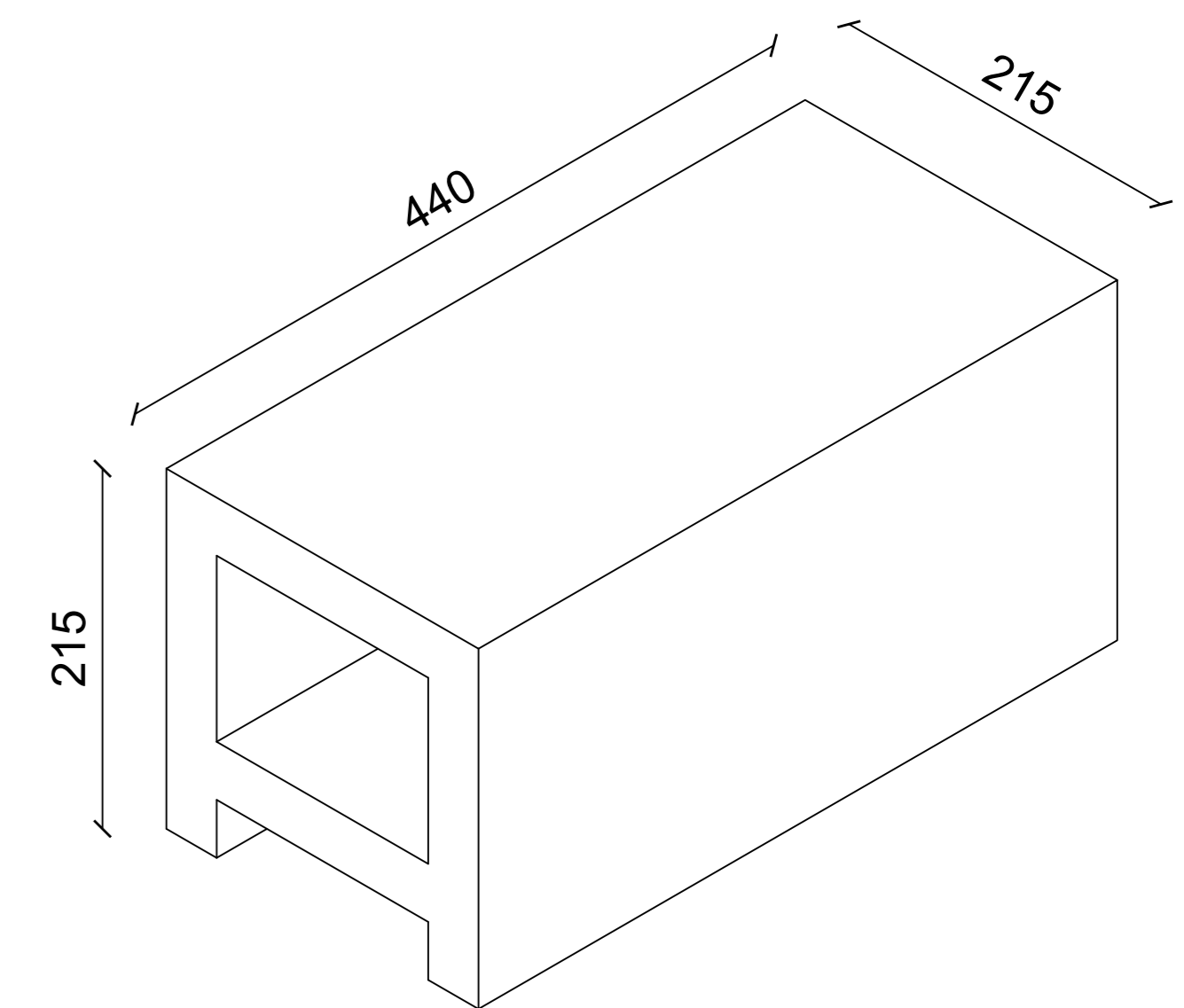
**L Block**  
12 per bale



**Squint Block**  
8 per bale



**9" Two Pot Cavity**  
10 per bale



**9" Single Pot Cavity**  
20 per bale

All our blocks are manufactured to I.S.EN 771-3 Specification for masonry units-  
Part 3: Aggregate concrete masonry units (Dense and lightweight aggregates)

---